



OXYGEN GENERATOR SEP



SEP 300

FEATURES

- OXYGEN GENERATION OUT OF AMBIENT AIR BY MOLECULAR SIEVES
- BUILT IN MOLECULAR SIEVES FOR SEPARATION OF OXYGEN OUT OF AIR
- CONTINUOUS OXYGEN FLOW UP TO 600 Nl/h OXYGEN
- AUTOMATIC REGENERATION OF THE MOLECULAR SIEVES
- BUILT IN CONTROLLER FOR OUTPUT PRESSURE OF 1,6 BAR (ABS.)
- FLOW METER WITH NEEDLE VALVE FOR ADJUSTMENT OF OXYGEN FLOW
- COMPACT UNIT, MOUNTED READY FOR OPERATION

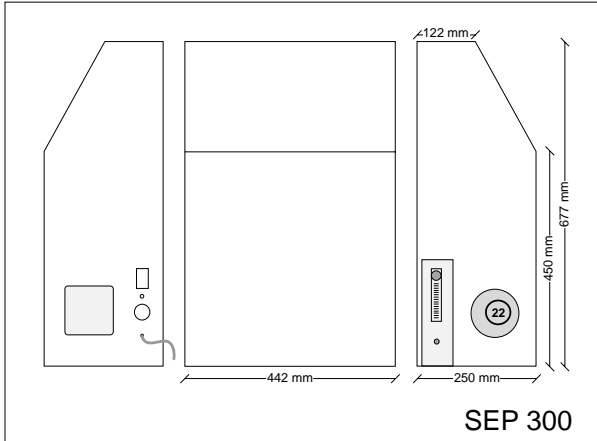
APPLICATION

PORTABLE OXYGEN SUPPLY, WHEREVER OXYGEN OUT OF CYLINDERS IS NOT AVAILABLE

ENCLOSURE

SIZE: 440(W) X 255(D) X 680(H) MM

WEIGHT: 25 KG



SPECIFICATIONS

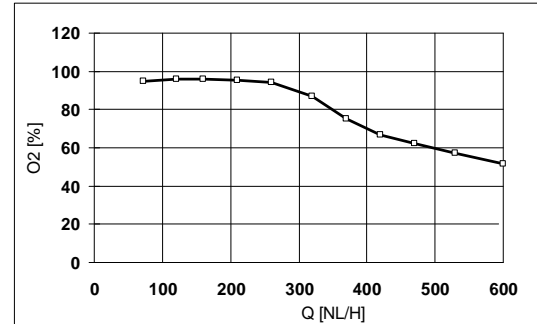
POWER SUPPLY: 230 V, 50 HZ, 2 A OR
115 V, 60 Hz, 4 A IN DEPENDENCE OF
TYPE

DEWPOINT: -100°F (-72°C)

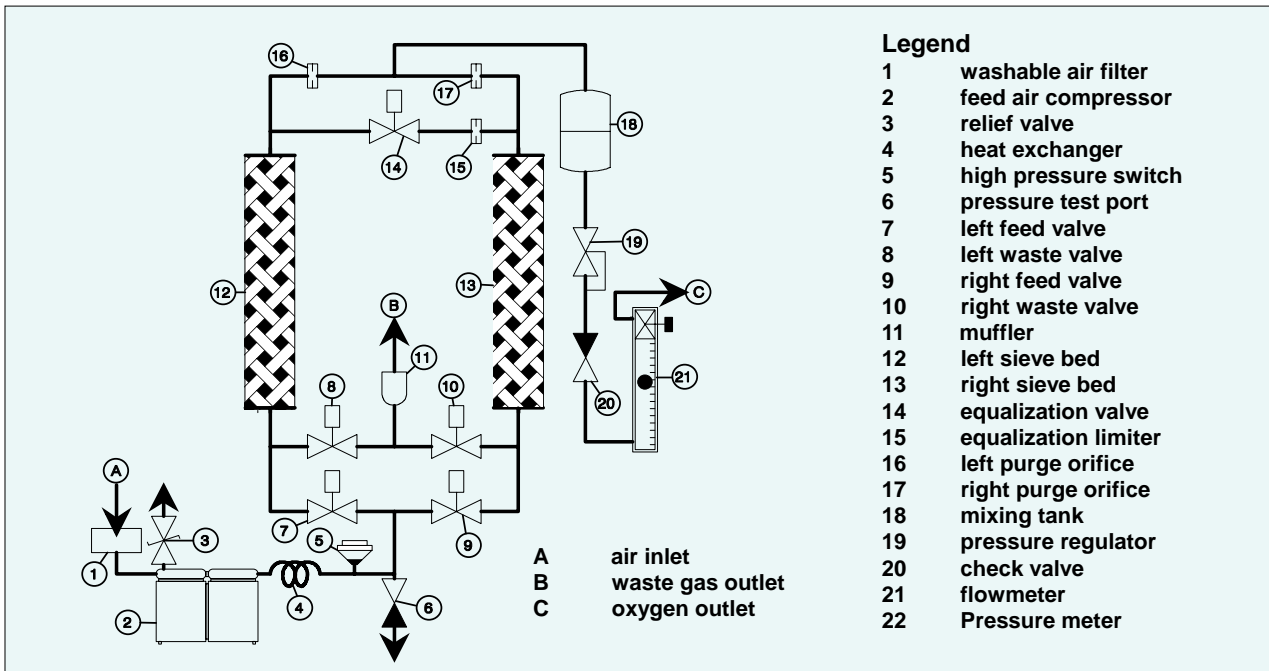
OXYGEN FLOW: UP TO 600 NL O₂/h

PRESSURE: 1,6 BAR (ABS:)

PERFORMANCE SEP 300:



PRINCIPLE OF OPERATION



DISTRIBUTED BY: _____

MANUFACTURER: _____



ANSEROS KLAUS NONNENMACHER GMBH
D-72070 TÜBINGEN · DISCHINGERWEG 11
PHONE +49.7071-7995-0 · FAX +49.7071-7995-95
info@anseros.de · www.anseros.de

IMPORTANT NOTE: The information provided in this document is intellectual property and under copyright of Anseros Klaus Nonnenmacher GmbH. Without their written consent, the document may not be altered, distributed partially or copied to a website. Devices depicted may contain optional features. Anseros reserves the right to make technical changes for better performance without prior notification.