



## STERILIZED LOW OZONE WATER PAP Light



PAP light

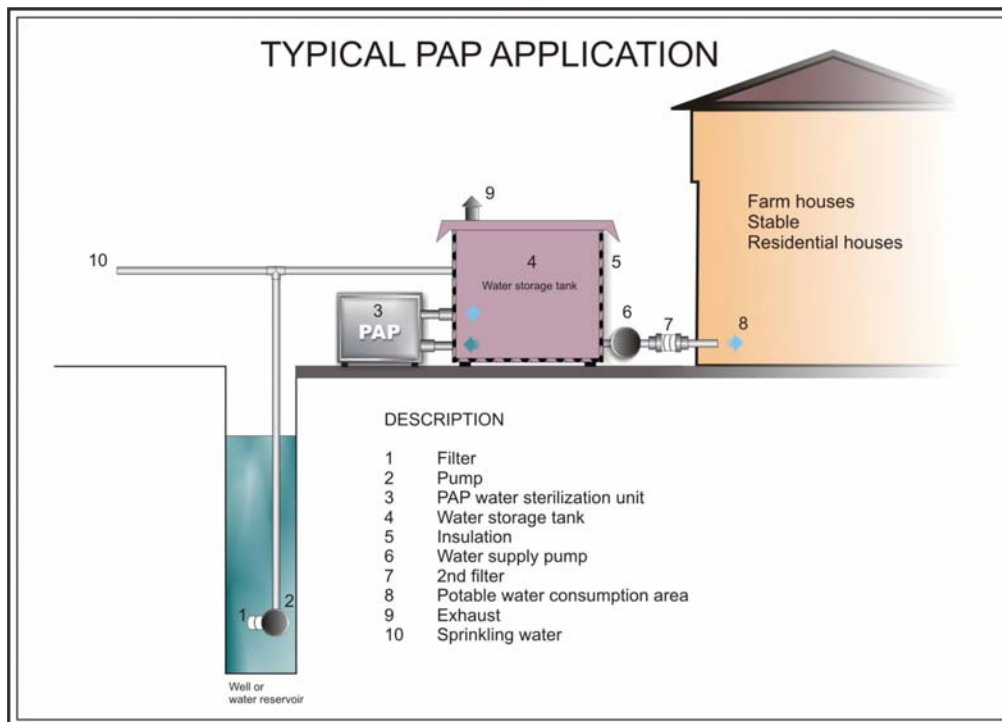
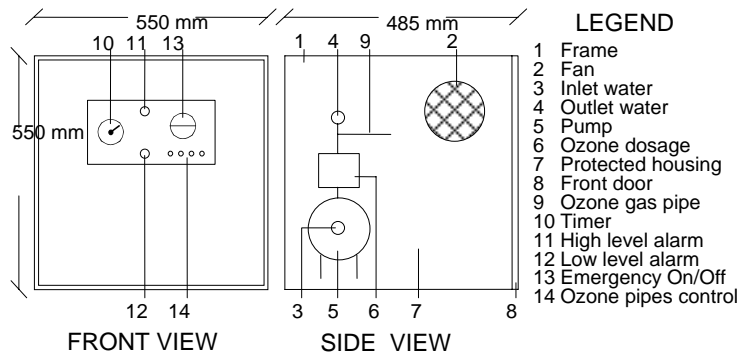
### FEATURES

- OZONE GENERATION WITH EXCITED DIMERS (DBE)
- NO AIR DRYER, NO MAINTENANCE
- FREE OF MERCURY (EXCIMER)
- TIMER, INTERMITTED OPERATION
- OZONE DOSAGE SYSTEM BUILT-IN
- TIMER, INTERMITTED OPERATION
- READY MOUNTED OZONSKID
- OZONE SENSOR CONTROLLER (OPTION)

### APPLICATIONS

- SWIMMING POOLS
- FOUNTAINS
- POTABLE WATER
- FISH FARMS
- ULTRA PURE WATER
- WATER STORAGE TANKS

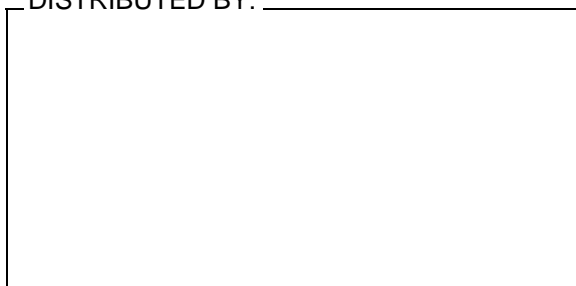
## CONSTRUCTION



## TECHNICAL DATA

TECH. DATA	UNITS	L2	L4	L6
Ozone capacity	g O <sub>3</sub> /h	2	4	6
Consumption	KW	1.0	1.1	1.2
Water flow	m <sup>3</sup> /h	1.0	2.0	3.0
Tank volumes	m <sup>3</sup>	20	40	60
Water outlet	inch	1	1	1
Water inlet	inch	1	1	1
Weight	kg	35	40	45
Ozone concentration	Mg O <sub>3</sub> / l H <sub>2</sub> O	0.05 - 0.80		
Power supply		115/230 V - 50/60 Hz		

DISTRIBUTED BY: \_\_\_\_\_



MANUFACTURER: \_\_\_\_\_



**ANSEROS**

ANSEROS KLAUS NONNENMACHER GMBH  
D-72070 TÜBINGEN · DISCHINGERWEG 11  
PHONE +49.7071-7995-0 · FAX +49.7071-7995-95  
INFO@ANSEROS.DE · WWW.ANSEROS.DE

**IMPORTANT NOTE:** The information provided in this document is intellectual property and under copyright of Anseros Klaus Nonnenmacher GmbH. Without their written consent, the document may not be altered, distributed partially or copied to a website. Devices depicted may contain optional features. Anseros reserves the right to make technical changes for better performance without prior notification. © Copyright ANSEROS