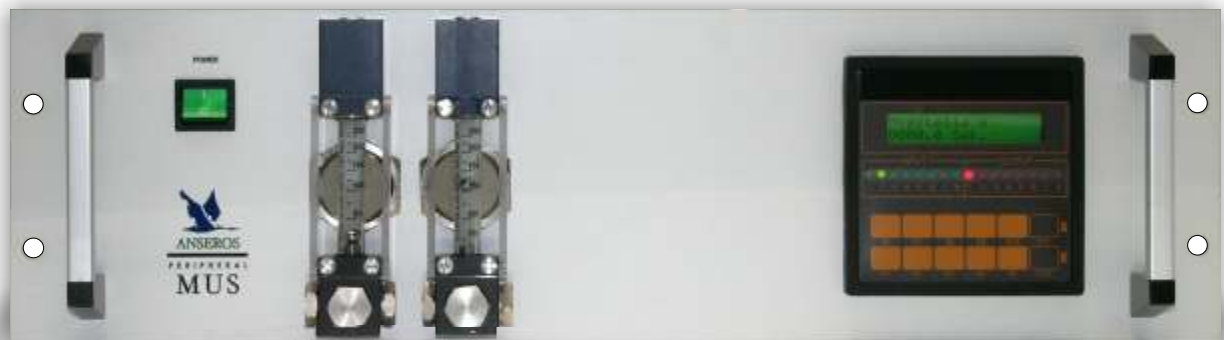




SAMPLE POINT SELECTOR



PERIPHERAL MUS

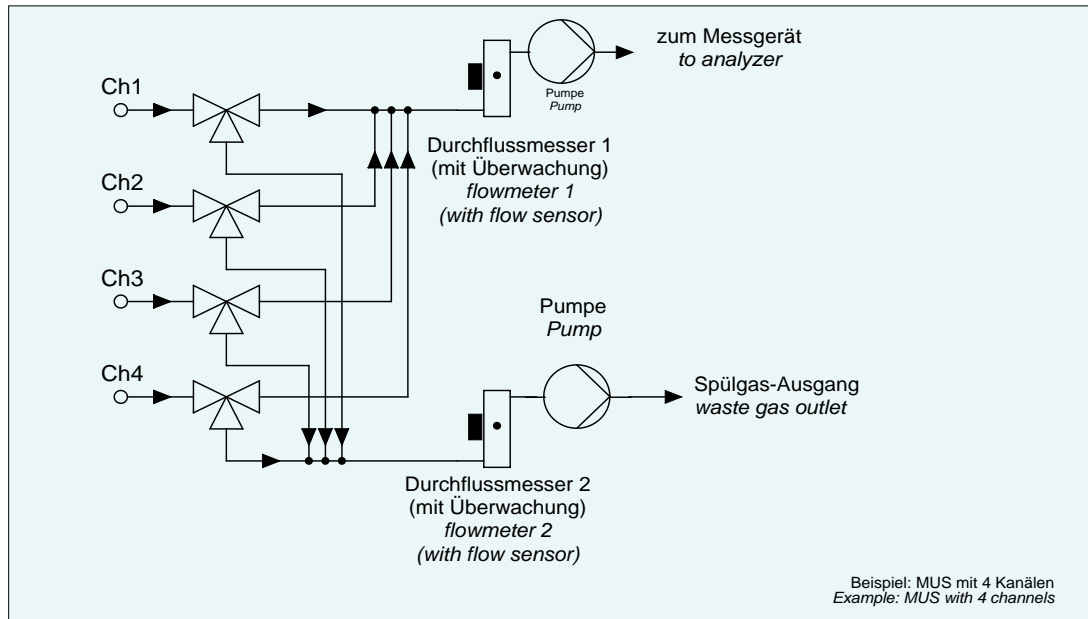
FEATURES

- Advanced microprocessor technology
- All parameters software programmable
- Graphical data display with illumination
- Trend recording (6 hrs or 24 hrs)
- All channels rinsed during measurement
- Analog outputs
- Two built-in flowmeters
- Alarm lamp



Microprocessor built-in controller

PRINCIPLE OF OPERATION



SPECIFICATIONS

OZOMAT LUM, MAK, MP, GM-6000-PRO	NUMBER OF CHANNELS: 4 / 8 (others on demand)
BUILT-IN ALARMS: one for each channel 1 alarm relay 1 zero alignment	FLOWMETER: 2 flowmeters with flowmeter sensors (flow to OZOMAT, continuous gas flow on non-active channels)
DISPLAY: LCD 2 x 16 characters	PROGRAMMABLE PARAMETERS For each channel: measuring range 0-6553,5 sec., adjustable, channels can be stoppted manually.
KEYBOARD: 12 Keys	POWER SUPPLY: 115 VAC; 230 VAC; 230V / 50 Hz (others on demand)
	CONFIGURATION: Standard 19" rack

DISTRIBUTOR



MANUFACTURER



ANSEROS KLAUS NONNENMACHER GMBH
D-72070 TÜBINGEN, DISCHINGERWEG 11
PHONE+49.7071-7995-0 FAX +49.7071-7995-95
info@anseros.de
www.anseros.de

© Copyright ANSEROS

IMPORTANT NOTE: The information provided in this document is intellectual property and under copyright of Anseros Klaus Nonnenmacher GmbH. Without their written consent, the document may not be altered, distributed partially or copied to a website. Devices depicted may contain optional features. Anseros reserves the right to make technical changes for better performance without prior notification.